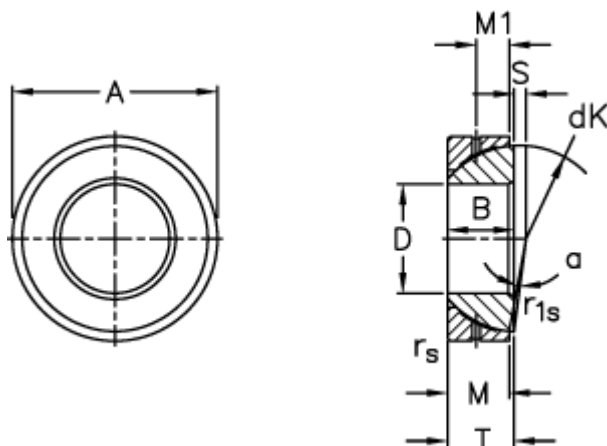


Article number: 03509075

Description: Fluro Rod end GE 75SX

Measures



A	= 115 0 -0,018	S	= 7.9
B	= 25	Static load C0 (kN)	= 1129
D	= 75 0 -0,015	T	= 25 +0,25 -0,50
dK	= 107	Tilt angle	= 1
Dynamic load C (kN)	= 220	Weight	= 1120
M	= 24		
M1	= 12.5		
rs, r1s min	= 1.1		